



EX-AR



Actual product appearance may vary.

**Explosion-Proof Limit Switches Series
EX: Side Rotary; 1NC 1NO SPDT Snap
Action; 0.5 in - 14NPT conduit**

Features

- NEMA 1, 7, and 9
- Compact, rugged housing
- Up to 20 amp capacity
- Ample wiring space
- Mounts from four sides
- Roller arms adjustable through 360 degrees
- Non-sparking actuators
- Captive cover screws
- UL listed, file #E14274
- CSA certified, file #LR57324
- ATEX approved, file #KEMA 04ATEX2312 X
- Grounding screw

Potential Applications

- Control valves and actuators
- Petro-chemical plants
- Conveyors
- Material handling

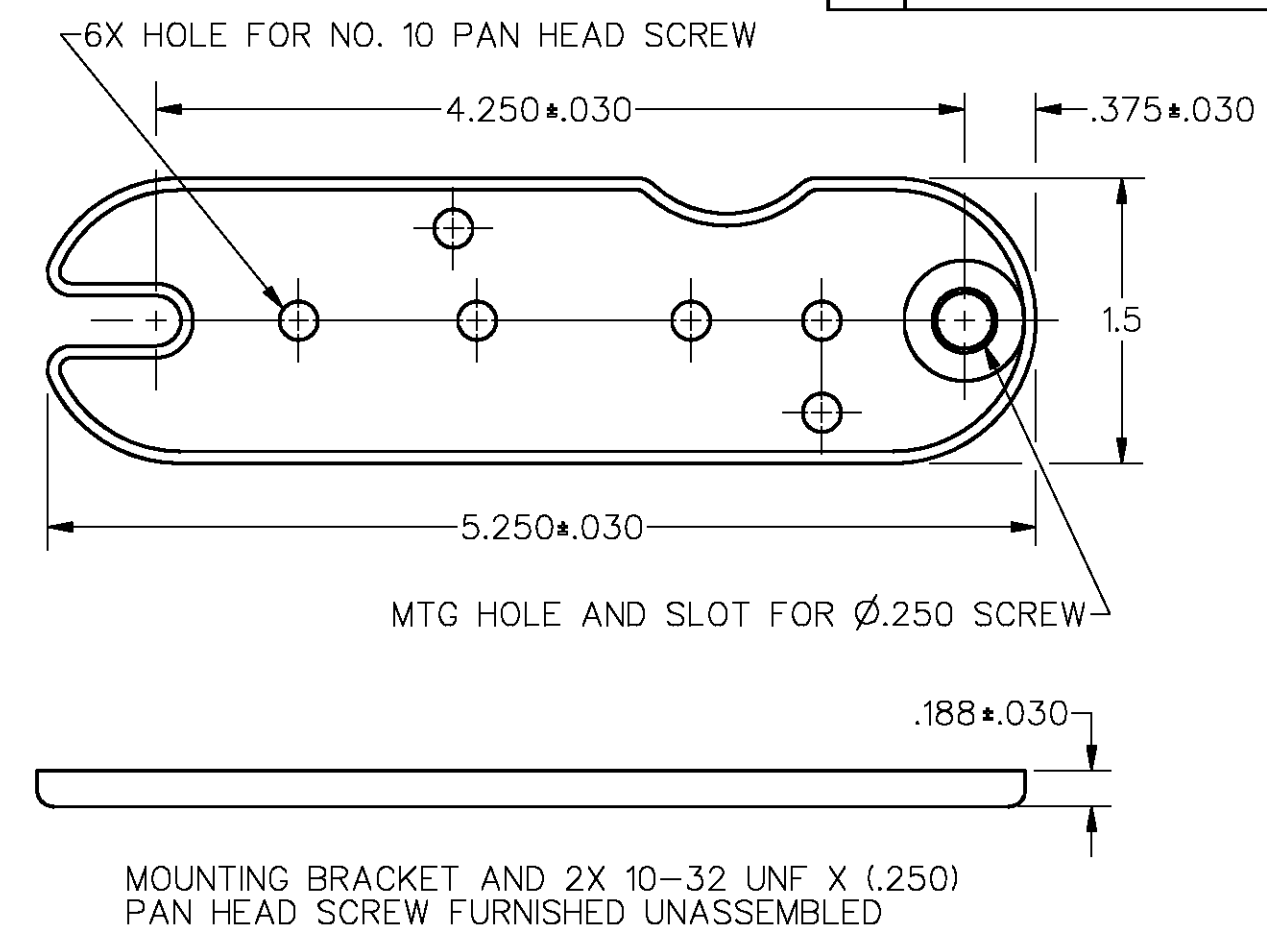
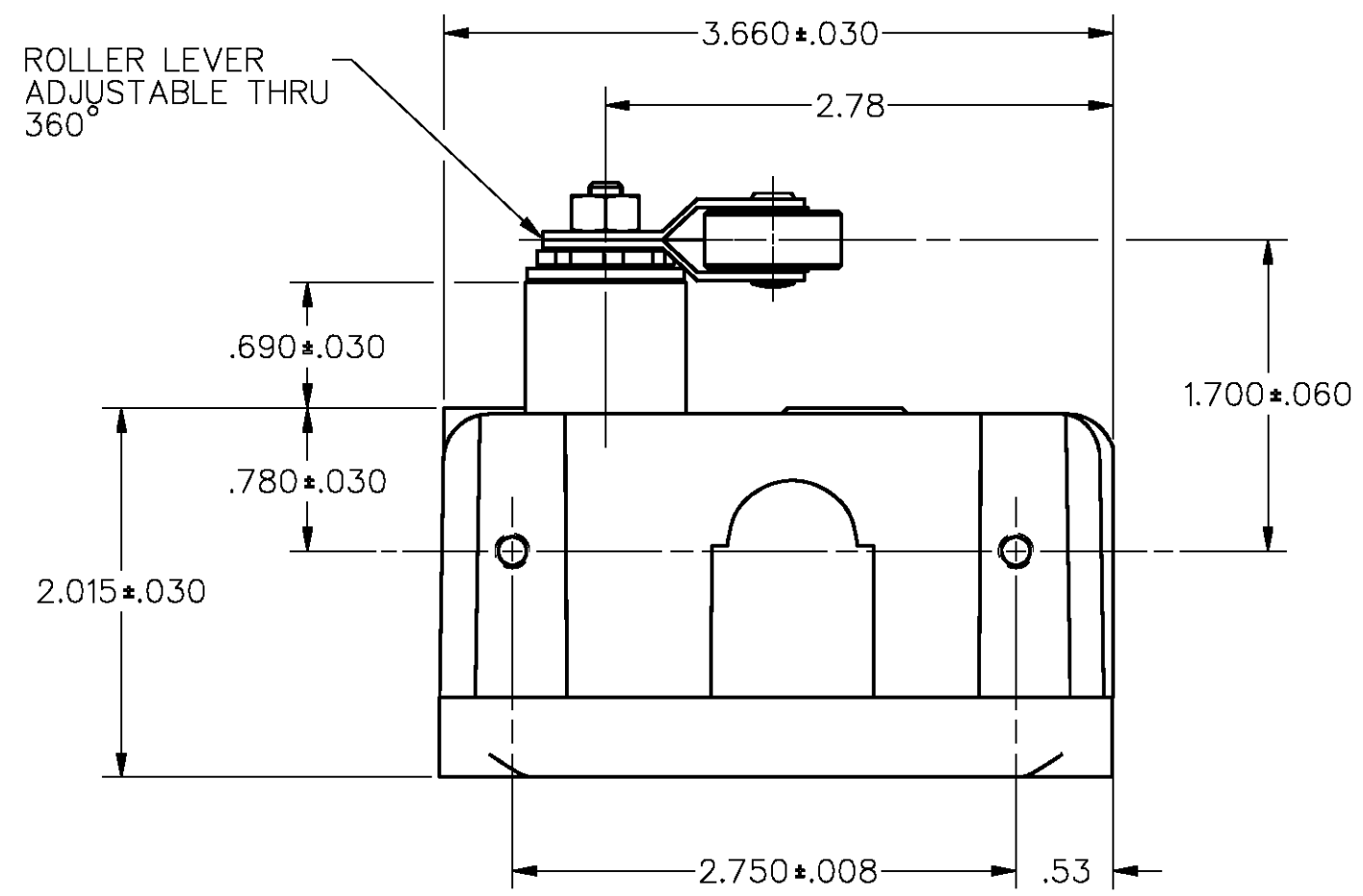
Description

MICRO SWITCH™ EX switches feature the smallest UL-listed housings available for use in hazardous locations. Flame paths within the housing cool exploding gases below the kindling temperature before they reach the explosive gases surrounding the housing.

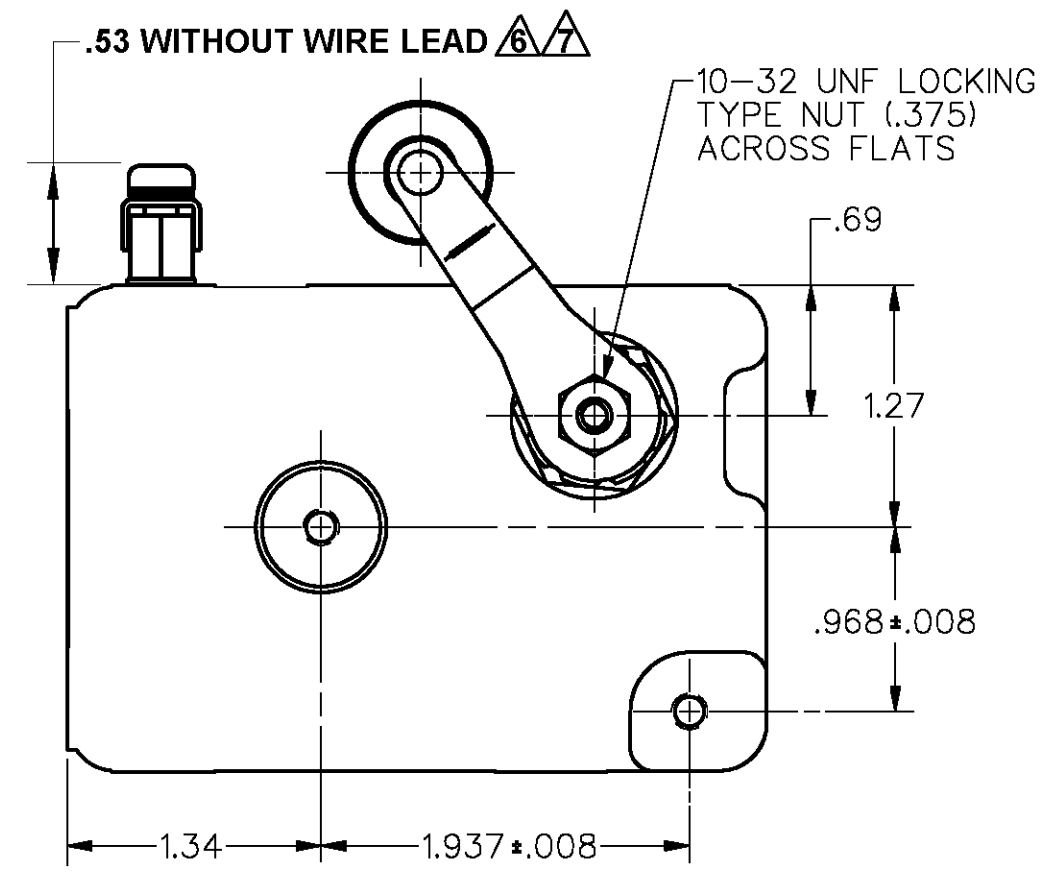
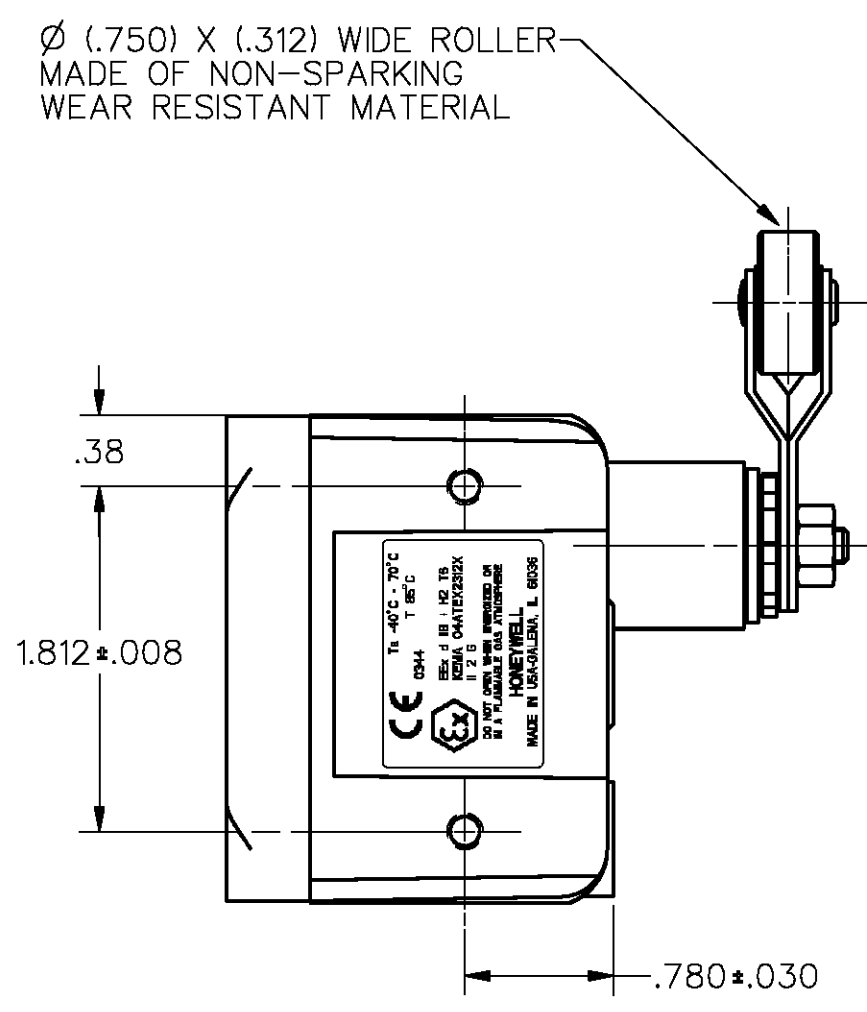
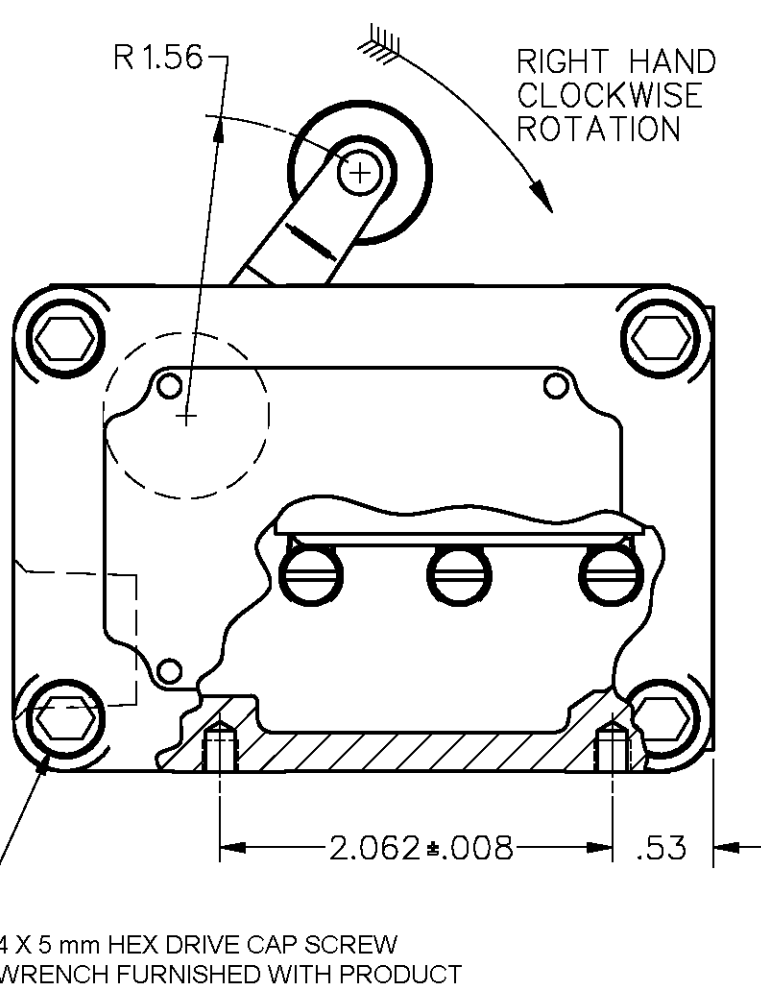
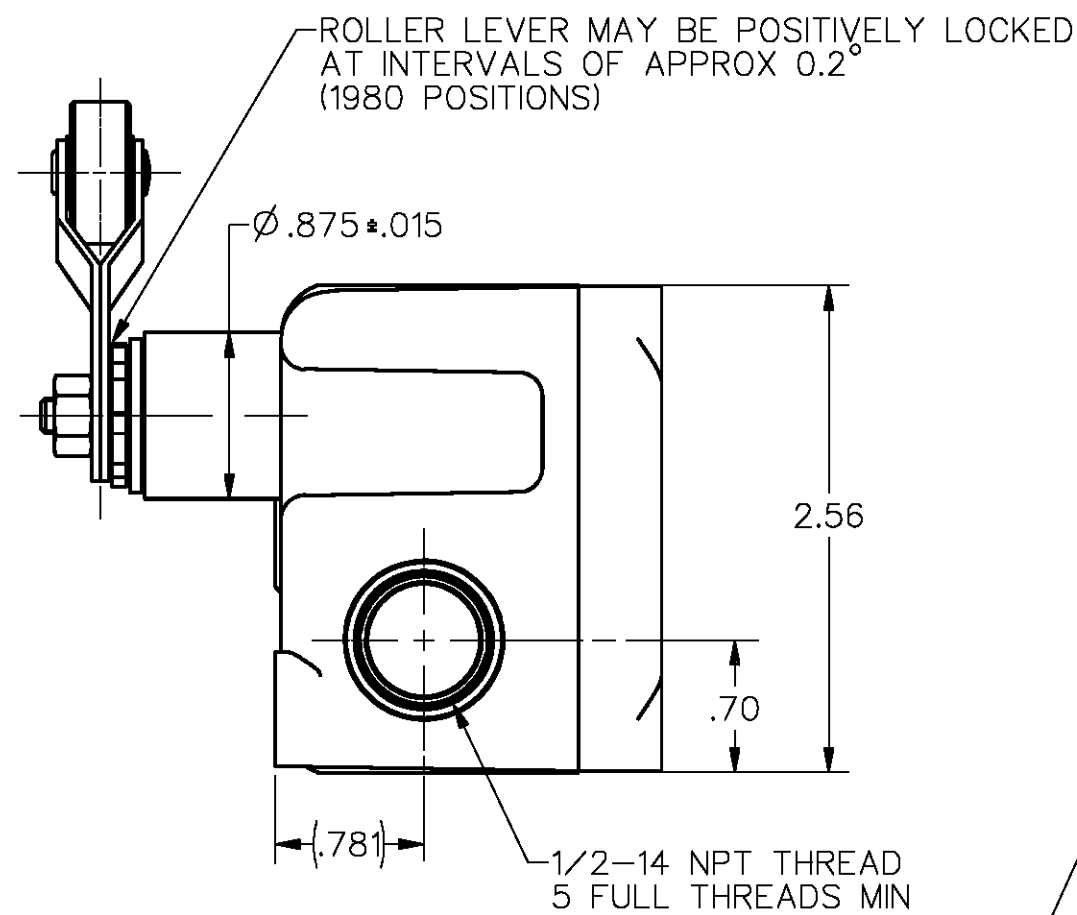
Product Specifications	
Availability	Global
Operating Force (O.F.)	2,22 N to 5,56 N [0.5 lbs to 1.25 lbs]
Full Overtravel Force	90° max.
Pretravel (P.T.)	5,56 mm [0.219 in] (8°) max.
Overtravel (O.T.)	90° max.
Differential Travel (D.T.)	0,18 mm [0.007 in] (0.25°) max.
Product Type	MICRO SWITCH™ Explosion-Proof Limit Switches

Actuator	Side Rotary
Lever Style	1.5 in Fixed Length Lever with Bronze Roller (.75 in dia. x .25 in wide)
Circuitry	1NC 1NO SPDT Snap Action
Ampere Rating	15 A Ind./ 0.5 A Res./0.25 A Res.
Supply Voltage	125 Vac, 250 Vac, 480 Vac/125 Vdc/250 Vdc
Housing Material	Aluminum
Termination Type	0.5 in - 14NPT conduit
Housing Type	EX
Series Name	EX
Sealing	NEMA 1, 7 (Class I, Division 1, Groups C, D), 9 (Class II, Division 1, Groups E, F, G)
Approvals	UL listed, CSA Certified, ATEX approved
CSA File #	LR57324
UL File #	E14274
ATEX File #	KEMA 04ATEX2312 X
Operating Temperature Range	-40 °C to 71 °C [-40 °F to 160 °F]
Comment	CW Actuation
UNSPSC Code	302119
UNSPSC Commodity	302119 Switches and controls and relays
Sealed	Explosion-proof

M EX-AR



DDM/CAD DRAWN
 S A V 16 OCT 92 CHECK
 AK 26 APR 05 CHECK
 29 ISSUE
 M DRAWING NUMBER
 EX-AR REPLACES
 RELEASE NO.



- NOTES
- EXPLOSION PROOF - UNDERWRITERS LAB INC LISTED FOR HAZARDOUS LOCATIONS NEMA 7, CLASS I, GROUPS C AND D, NEMA 9, CLASS II, GROUPS E, F, AND G
 - 8X MOUNTING SCREW HOLE, 10-32 UNF THREADS X (.219) DEEP
 - 8-32 UNC X (.219) TERMINAL SCREWS AND CUP WASHERS
 - EUROPEAN HAZARDOUS LOCATIONS DESIGNATION: EEx d IIB + H2 T6 CATAGORY II 2 G
 - SEAL RATING: NEMA 1
- ⚠️ EXTERNAL GROUND SCREW MAY BE ASSEMBLED TO ANY UNUSED MOUNTING SCREW HOLE
- ⚠️ ASSEMBLE PROVIDED SPLIT LOCKWASHER BETWEEN GROUND LUG AND HOUSING

CHARACTERISTICS	ELECTRICAL DATA
OPERATING FORCE ----- 1/2 - 1 1/4 LB	CONTACT ARRANGEMENT S P D T
RELEASE FORCE ----- 1/4 LB MIN	L96
PRETRAVEL ----- .219 MAX 8°	15A 125, 250 OR 480 VAC
DIFFERENTIAL TRAVEL ---- .007 MAX 1/4°	1/8HP 125 VAC, 1/4HP 250 VAC
DO NOT OVERTRAVEL MORE THAN --- 90°	1/2A 125 VDC, 1/4A 250 VDC
SWITCH - BASIC REPLACEMENT--BZ-2R-P4	

MASTER REDUCED
ANSI Y14.5M-1982 APPLIES

THIS DRAWING COVERS A PROPRIETARY ITEM AND IS THE PROPERTY OF MICRO SWITCH, A DIVISION OF HONEYWELL. THIS DRAWING IS NOT TO BE COPIED OR USED WITHOUT THE APPROVAL OF MICRO SWITCH.

MICRO SWITCH
a Honeywell Division

SWITCH - ENCLOSED

CATALOG LISTING
EX-AR

THIRD ANGLE PROJECTION

SCALE FULL

DO NOT SCALE PRINT

UNLESS OTHERWISE SPECIFIED TOLERANCES ARE

ONE PLACE	(.0)	±.030
TWO PLACES	(.00)	±.015
THREE PLACES	(.000)	±.005
ANGLES		±

WEIGHT

FED. MFG. CODE 91929